

Pharmapac[™] - Genesis[™]

“Simplicity Engineered Through Innovation, Not Imitation”

Genesis 4D – 6.9 to 8.1 L

48+ Hours Minimum (Summer)



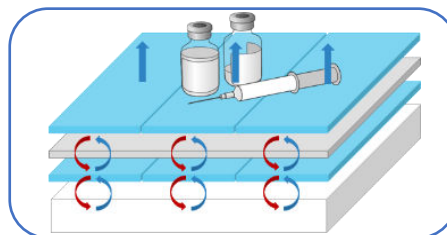
Pharmapac-Genesis[™] is Hydropac's first validated offering within the Pharmapac brand, designed as a cost effective, single-use system to protect refrigerated payloads (2 – 8°C) for at least two days during transit.

Consisting of a heavy-duty recyclable polystyrene (EPS) container, robust ice packs and an innovative filter pack designed to regulate internal temperatures, Hydropac have been able to achieve superior year-round thermal protection minus the complexity and cost.

Simple, affordable, effective.

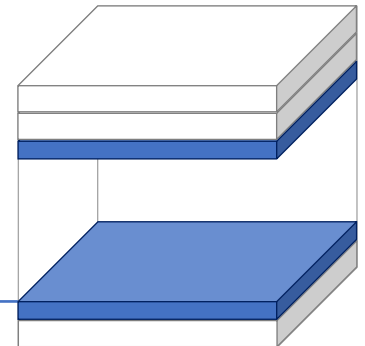
The science behind the Pharmapac-Genesis[™] Filter Pack

Two layers of encapsulated water separated by an insulative panel

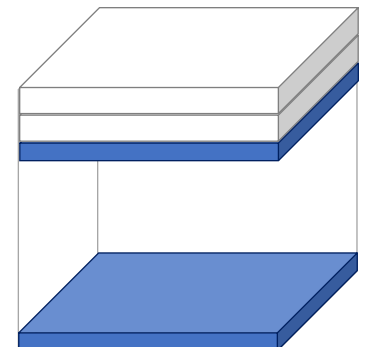


- First layer of water absorbs the sub-zero thermal energy from the ice pack
- Insulative panel controls the rate of cooling of the second layer of water
- Controlled heat exchange ensure payload maintains safe temperatures during transit

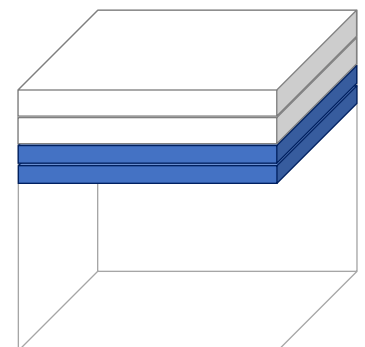
System ID	Season	Duration (Hours)	Payload Dims. (mm) L x W x H	Litres	External Dims. (mm) L x W x H	Tare Weight (kg)
Pharmapac-Genesis [™] 1 2 - 8°C	Summer	52	152 x 152 x 32	0.75		1.70
	Spring/Autumn	75	152 x 152 x 72	1.66	255 x 255 x 255	1.25
	Winter	120+	152 x 152 x 72	1.66		1.25
Pharmapac-Genesis [™] 3 2 - 8°C	Summer	58	245 x 205 x 75	3.77		3.30
	Spring/Autumn	83	245 x 205 x 100	5.02	355 x 305 x 300	2.25
	Winter	120+	245 x 205 x 100	5.02		2.25
Pharmapac-Genesis [™] 4 2 - 8°C	Summer	78	205 x 205 x 75	3.15		3.25
	Spring/Autumn	106	205 x 205 x 120	5.04	345 x 345 x 355	2.30
	Winter	120+	205 x 205 x 120	5.04		2.30
Pharmapac-Genesis [™] 4D 2 - 8°C	Summer	74	250 x 250 x 110	6.88		5.00
	Spring/Autumn	125	250 x 250 x 130	8.13	345 x 345 x 355	3.80
	Winter	120+	250 x 250 x 130	8.13		3.80
Pharmapac-Genesis [™] 5 2 - 8°C	Summer	94	305 x 305 x 105	9.77		6.55
	Spring/Autumn	108	305 x 305 x 155	14.42	460 x 460 x 390	4.40
	Winter	120+	305 x 305 x 155	14.42		4.40
Pharmapac-Genesis [™] 6 2 - 8°C	Summer	102	435 x 380 x 145	23.97		10.20
	Spring/Autumn	120+	435 x 380 x 180	29.75	565 x 500 x 420	7.20
	Winter	120+	435 x 380 x 180	29.75		7.20



Summer



Spring/Autumn



Winter

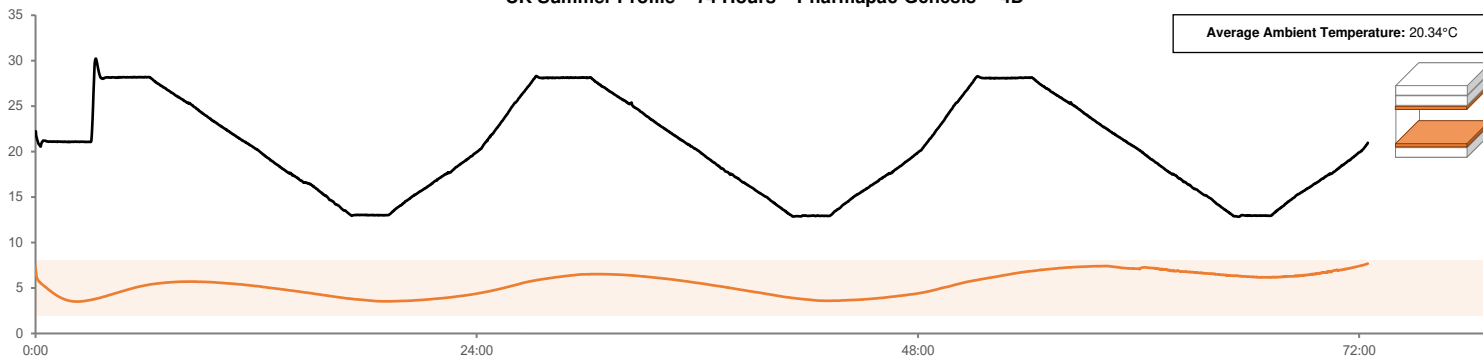


Another innovation by

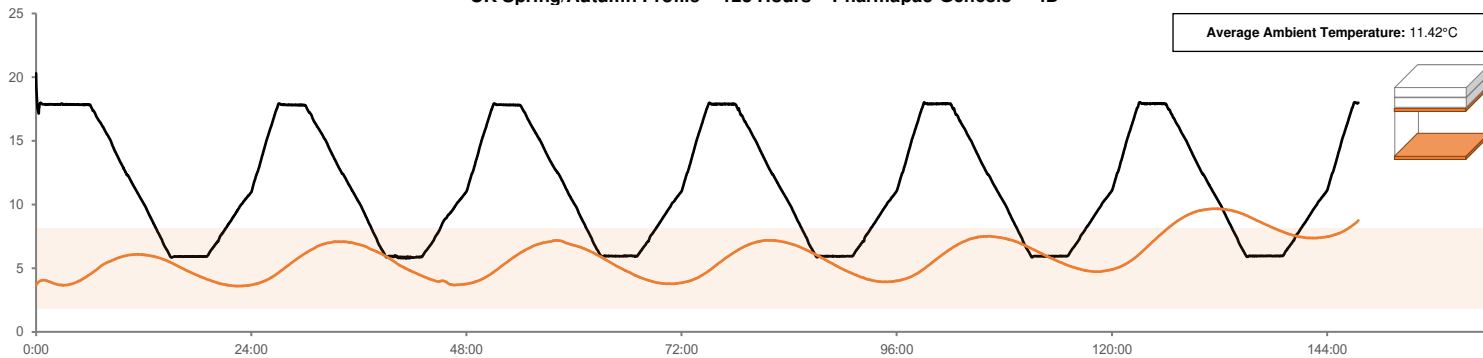


Pharmapac-Genesis™ 4D Datasheet

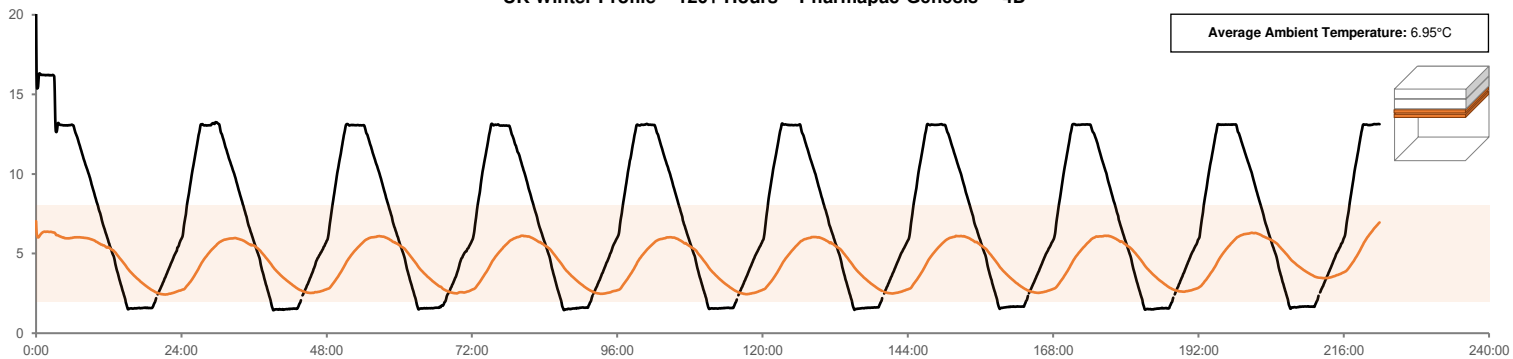
UK Summer Profile – 74 Hours – Pharmapac-Genesis™ 4D



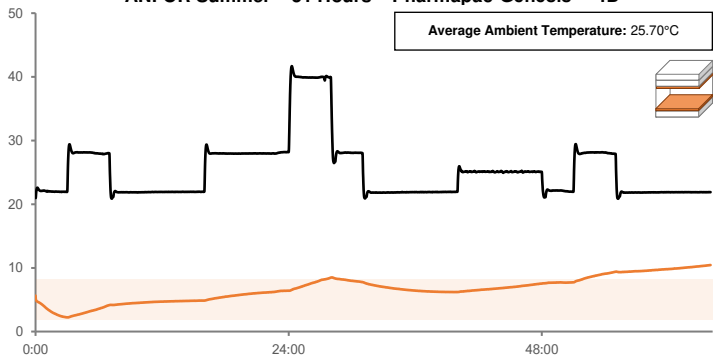
UK Spring/Autumn Profile – 125 Hours – Pharmapac-Genesis™ 4D



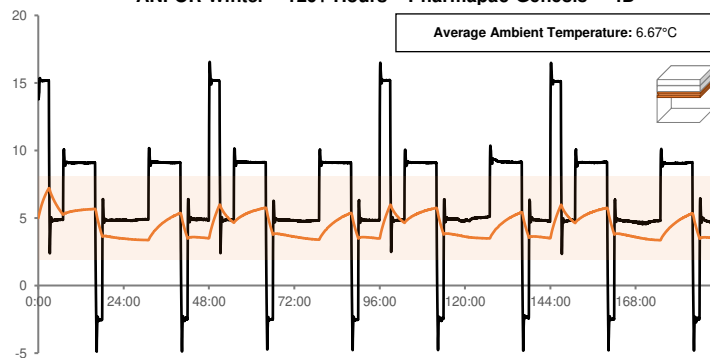
UK Winter Profile – 120+ Hours – Pharmapac-Genesis™ 4D



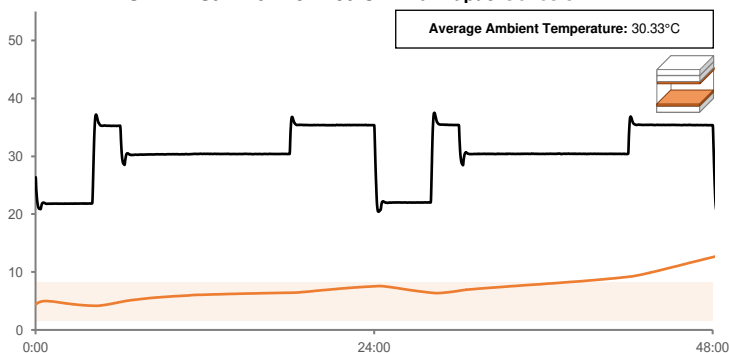
ANFOR Summer – 51 Hours – Pharmapac-Genesis™ 4D



ANFOR Winter – 120+ Hours – Pharmapac-Genesis™ 4D



ISTA 7D Summer – 37 Hours – Pharmapac-Genesis™ 4D



For more information, please contact:

sales@hydropac.co.uk

T: +44 (0) 1494 530 182

www.hydropac.co.uk

Hydropac Limited, Unit 1 Network 4, Lincoln Road, High Wycombe, Buckinghamshire, HP12 3RF

Another innovation by

Hydropac Innovative Shipping Systems